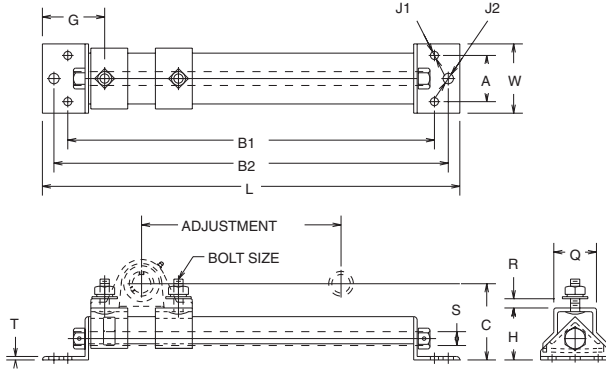




PROTECTED SCREW TAKE-UP FRAME SERIES T210



- Three bolt base mounting
- Welded steel construction
- Plated adjusting screw

PART NUMBER	SHAFT SIZE	DIMENSIONS													BOLT SIZE	WT. LBS.
		L	W	A	B1	B2	G	H	J1	J2	Q	R	S	T		
6T210BC-3	3/4 - 1	17-1/8	3-1/4	2-1/4	13-7/8	15-7/8	3-5/16	2-3/8	7/16	9/16	1-3/4	9/16	5/8	3/16	3/8	6.0
9T210BC-3	3/4 - 1	20-1/8	3-1/4	2-1/4	16-7/8	18-7/8	3-5/16	2-3/8	7/16	9/16	1-3/4	9/16	5/8	3/16	3/8	6.7
6T210DH-3	1-1/16 - 2S	18-3/16	3-3/4	2-1/2	15-7/16	16-15/16	3-3/8	2-13/16	7/16	9/16	2-5/16	7/8	3/4	3/16	1/2	8.9
9T210DH-3	1-1/16 - 2S	22-5/8	3-3/4	2-1/2	19-7/8	21-3/8	3-3/8	2-13/16	7/16	9/16	2-5/16	7/8	3/4	3/16	1/2	10.3
12T210DH-3	1-1/16 - 2S	24-3/16	3-3/4	2-1/2	21-7/16	22-15/16	3-3/8	2-13/16	7/16	9/16	2-5/16	7/8	3/4	3/16	1/2	10.9
18T210DH-3	1-1/16 - 2S	31-5/8	3-3/4	2-1/2	28-7/8	30-3/8	3-3/8	2-13/16	7/16	9/16	2-5/16	7/8	3/4	3/16	1/2	13.3
12T210JK-3	2 - 2-7/16	28	4-3/4	3	24-3/4	26-3/4	4	3-5/16	9/16	11/16	2-5/8	1-7/16	1	1/4	5/8	18.3
18T210JK-3	2 - 2-7/16	34	4-3/4	3	30-3/4	32-3/4	4	3-5/16	9/16	11/16	2-5/8	1-7/16	1	1/4	5/8	21.2

PROTECTED SCREW TAKE-UP FRAMES ARE DESIGNED FOR USE WITH:

- PB220, PB221, PB220W, PB221W, PB220HW AND PB221HW SHOWN ON PAGES M-13, M-14, M-15.
- PB250, PB251, PB250W, PB251W, PB250HW AND PB251HW SHOWN ON PAGES M-16, M-17, M-18.
- PB350 AND PB350H SHOWN ON PAGES M-32 AND M-33.

* "C" DIMENSION IS OBTAINED BY ADDING "H" IN THE TABLE ABOVE TO "A" FROM PILLOW BLOCK DIMENSION TABLES.

THE FIRST DIGIT OF THE PART NUMBER REPRESENTS THE NOMINAL ADJUSTMENT WHICH IS POSSIBLE. BECAUSE OF THE DIMENSIONAL DIFFERENCES OF THE VARIOUS PILLOW BLOCKS, THIS ADJUSTMENT VARIES ACCORDING TO THE SPECIFICATIONS NOTED BELOW.

ACTUAL AMOUNT OF ADJUSTMENT

SHAFT SIZE	FRAME PART NUMBER							
	6T210BC-3	9T210BC-3	6T210DH-3	9T210DH-3	12T210DH-3	18T210DH-3	12T210JK-3	18T210JK-3

WHEN USED WITH 200 SERIES PILLOW BLOCKS

3/4	6-3/8	9-3/8	—	—	—	—	—	—
13/16 - 1	6	9	—	—	—	—	—	—
1-1/16 - 1-3/16	—	—	6-3/8	10-13/16	12-3/8	19-13/16	—	—
1-1/4 - 1-7/16	—	—	6	10-7/16	12	19-7/16	—	—
1-1/2 - 1-9/16	—	—	5-9/16	10	11-9/16	19	—	—
1-5/8 - 1-3/4	—	—	5-3/16	9-5/8	11-3/16	18-5/8	—	—
1-13/16 - 2S	—	—	4-9/16	9	10-9/16	18	—	—
2 - 2-3/16	—	—	—	—	—	—	12-3/4	18-3/4
2-1/4 - 2-7/16	—	—	—	—	—	—	12	18

WHEN USED WITH 350 SERIES PILLOW BLOCKS

1-7/16	—	—	6-5/8	11-1/16	12-5/8	20-1/16	—	—
1-1/2 - 1-3/4	—	—	6-1/8	10-9/16	—	—	14-11/16	20-11/16
1-15/16 - 2-15/16	—	—	5-5/8	10-1/16	—	—	14-3/16	20-3/16
2-3/16 - 2-1/4	—	—	—	—	—	—	13-9/16	19-9/16
2-7/16 - 2-1/2	—	—	—	—	—	—	12-13/16	18-13/16

†† DIMENSIONS SHOWN ARE FOR REFERENCE ONLY.

CERTIFIED PRINTS ARE AVAILABLE UPON REQUEST

CALL: (605) 225-0360 • FAX: (605) 225-0567

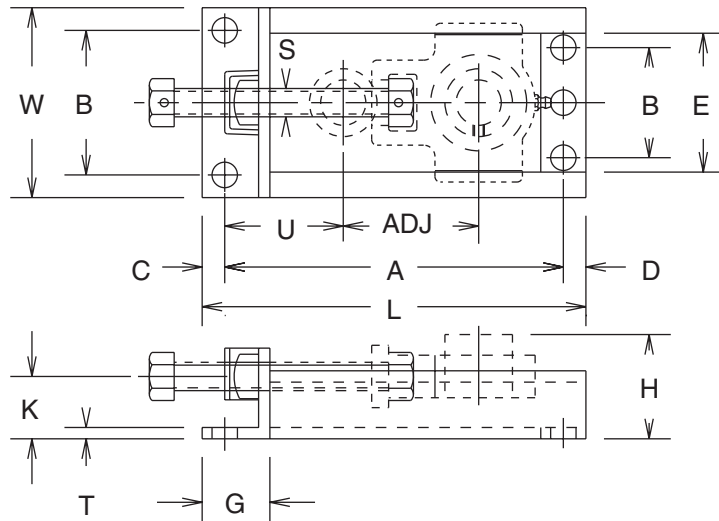


TAKE-UP FRAMES

SERIES T200

T200 SIDE MOUNTING TAKE-UP FRAMES

- Welded steel construction
- Plated adjusting screw



PART NUMBER	SHAFT SIZE RANGE		ADJUSTMENT	DIMENSIONS												BOLT HOLES		WT. LBS.
	FOR "200" SERIES UNITS	FOR "300" SERIES UNITS		L	W	A	B	C	D	E	G	H MAX.	K	S	T	NO.	SIZE	
1T200A	1/2 - 5/8	—	1-1/2	6-3/8	3-11/16	5-3/8	2-11/16	1/2	1/2	2-9/16	1-1/2	2-1/4	1-3/8	1/2	1/4	3	9/16	2.2
3T200BC	3/4 - 1	—	3	8-1/2	4-3/16	7-1/2	3-3/16	1/2	1/2	3-1/16	1-1/2	2-19/64	1-3/8	5/8	1/4	3	9/16	3.6
6T200BC	3/4 - 1	—	6	11-1/2	4-3/16	10-1/2	3-3/16	1/2	1/2	3-1/16	1-1/2	2-19/64	1-3/8	5/8	1/4	3	9/16	4.4
9T200BC	3/4 - 1	—	9	14-1/2	4-3/16	13-1/2	3-3/16	1/2	1/2	3-1/16	1-1/2	2-19/64	1-3/8	5/8	1/4	3	9/16	5.5
3T200DE	1-1/16 - 1-7/16	—	3	9-3/8	4-11/16	8-3/8	3-11/16	1/2	1/2	3-9/16	1-1/2	2-17/32	1-3/8	3/4	1/4	3	9/16	4.3
6T200DE	1-1/16 - 1-7/16	—	6	12-3/8	4-11/16	11-3/8	3-11/16	1/2	1/2	3-9/16	1-1/2	2-17/32	1-3/8	3/4	1/4	3	9/16	5.3
9T200DE	1-1/16 - 1-7/16	—	9	15-3/8	4-11/16	14-3/8	3-11/16	1/2	1/2	3-9/16	1-1/2	2-17/32	1-3/8	3/4	1/4	3	9/16	6.3
12T200DE	1-1/16 - 1-7/16	—	12	18-3/8	4-11/16	17-3/8	3-11/16	1/2	1/2	3-9/16	1-1/2	2-17/32	1-3/8	3/4	1/4	3	9/16	7.4
3T200FH	1-1/2 - 2S	1-7/16 - 1-3/4	3	11	5-3/16	9-7/8	3-1/16	1/2	5/8	4-1/16	2	2-15/16	1-5/8	1	1/4	4	9/16	6.3
6T200FH	1-1/2 - 2S	1-7/16 - 1-3/4	6	14	5-3/16	12-7/8	3-1/16	1/2	5/8	4-1/16	2	2-15/16	1-5/8	1	1/4	4	9/16	7.6
9T200FH	1-1/2 - 2S	1-7/16 - 1-3/4	9	17	5-3/16	15-7/8	3-1/16	1/2	5/8	4-1/16	2	2-15/16	1-5/8	1	1/4	4	9/16	9.1
12T200FH	1-1/2 - 2S	1-7/16 - 1-3/4	12	20	5-3/16	18-7/8	3-1/16	1/2	5/8	4-1/16	2	2-15/16	1-5/8	1	1/4	4	9/16	10.5
18T200FH	1-1/2 - 2S	1-7/16 - 1-3/4	18	26	5-3/16	24-7/8	3-1/16	1/2	5/8	4-1/16	2	2-15/16	1-5/8	1	1/4	4	9/16	13.2
9T200JK	2 - 2-7/16	1-15/16 - 2-3/16	9	18-1/4	6-3/8	16-7/8	4-1/8	5/8	3/4	5-1/4	2	3-7/16	1-7/8	1-1/4	5/16	4	11/16	13.9
12T200JK	2 - 2-7/16	1-15/16 - 2-3/16	12	21-1/4	6-3/8	19-7/8	4-1/8	5/8	3/4	5-1/4	2	3-7/16	1-7/8	1-1/4	5/16	4	11/16	15.0
18T200JK	2 - 2-7/16	1-15/16 - 2-3/16	18	27-1/4	6-3/8	25-7/8	4-1/8	5/8	3/4	5-1/4	2	3-7/16	1-7/8	1-1/4	5/16	4	11/16	19.8

THESE TAKE-UP FRAMES ARE USED WITH TU220, TU250, TU220W AND TU250W TAKE-UP UNITS SHOWN ON PAGES M-24 AND M-25 AND WITH TU350 TAKE-UP UNITS SHOWN ON PAGE M-34.

*NOTE — "U" MAY HAVE MORE THAN ONE VALUE, DEPENDING ON THE TAKE-UP UNIT AND FRAME COMBINATION USED, THEREFORE DETERMINED "U" FROM FRAME DIMENSIONS "G" MINUS "C" PLUS TAKE-UP UNIT DIMENSIONS "A", "C" AND "F".

† DIMENSIONS SHOWN ARE FOR REFERENCE ONLY.

CERTIFIED PRINTS ARE AVAILABLE UPON REQUEST